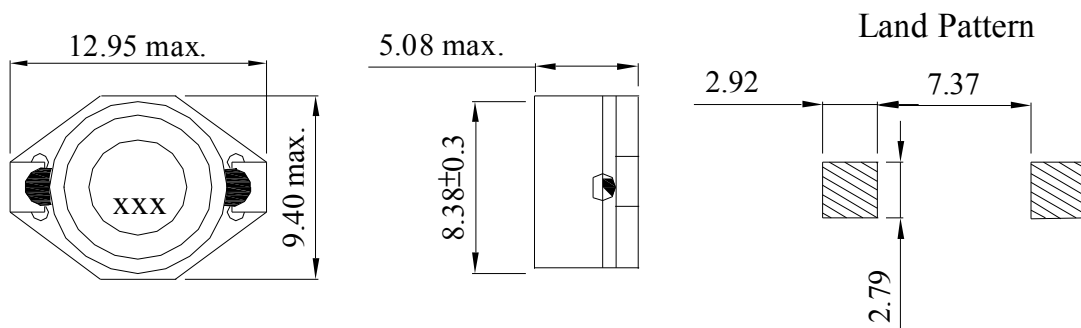


【GSB1305C-SERIES】

DIMENSIONS & RECOMMENDED PATTERN



Unit: mm

※ FEATURES

- Applications : DC to DC converters for notebook, communication products

SELECTION GUIDE FOR STANDARD COILS

GENERIC Part Number	Inductance	Tolerance	DC Resistance	Inductance Decrease Current
	(μ H)	(%)	(Ω) Max	(A) Max
GSB1305C - 1R0M	1.0	$\pm 20\%$	0.021	5.60
GSB1305C - 1R5M	1.5	$\pm 20\%$	0.022	5.20
GSB1305C - 2R2M	2.2	$\pm 20\%$	0.032	5.00
GSB1305C - 3R3M	3.3	$\pm 20\%$	0.039	3.90
GSB1305C - 4R7M	4.7	$\pm 20\%$	0.054	3.20
GSB1305C - 6R8M	6.8	$\pm 20\%$	0.075	2.80
GSB1305C - 100M	10.0	$\pm 20\%$	0.101	2.40
GSB1305C - 150M	15.0	$\pm 20\%$	0.150	2.00
GSB1305C - 220M	22.0	$\pm 20\%$	0.207	1.60
GSB1305C - 330M	33.0	$\pm 20\%$	0.334	1.40
GSB1305C - 470M	47.0	$\pm 20\%$	0.472	1.00

※ GENERAL SPECIFICATION:

- Inductance drop = 10% typ. at IDC.
- Operating Temp. : $-40^{\circ}\text{C} \sim +85^{\circ}\text{C}$
- Test Freq. : 100KHz / 0.1V.